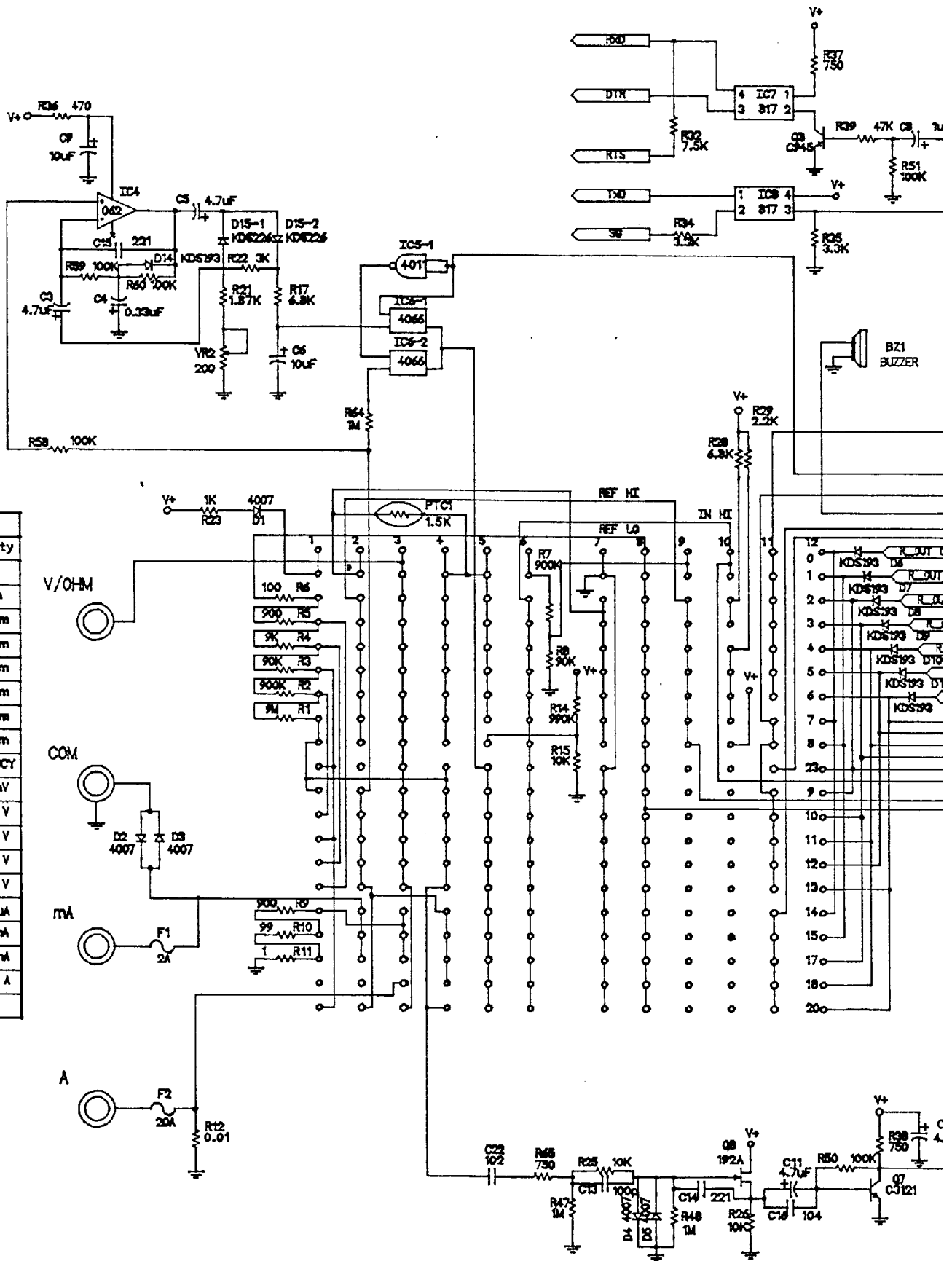
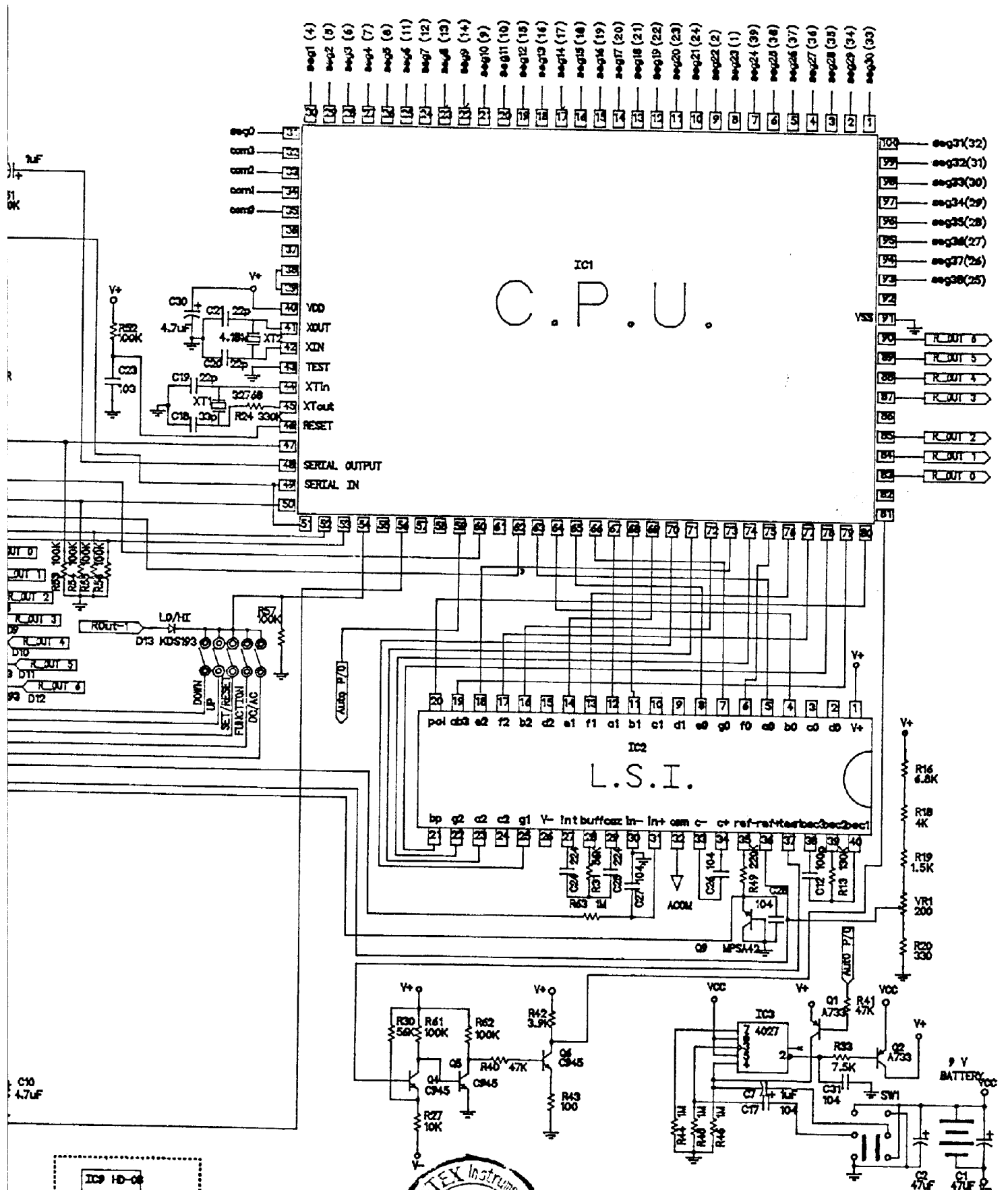


RANGE
1. continuity
2. diode
3. 200 ohm
4. 2 Kohn
5. 20 Kohn
6. 200 Kohn
7. 2 Mohm
8. 20 Mohm
9. 200 Mohm
10. FREQUENCY
11. 200 mV
12. 2 V
13. 20 V
14. 200 V
15. 1000 V
16. 200 uA
17. 2 mA
18. 200 mA
19. 20 A
20. LOGIC

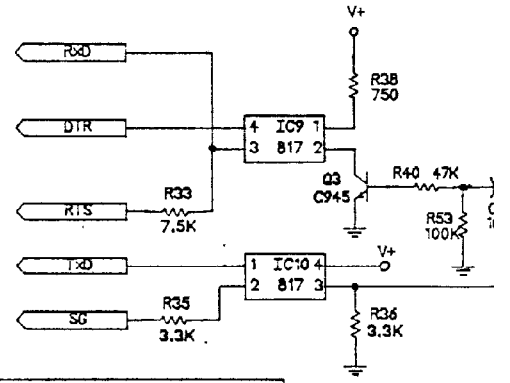




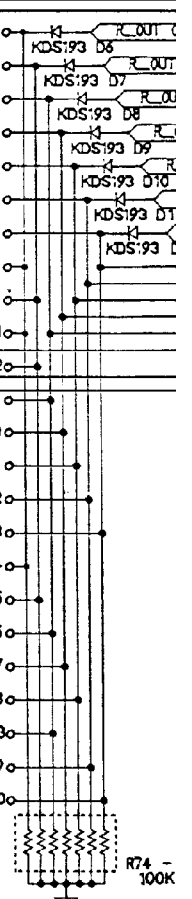
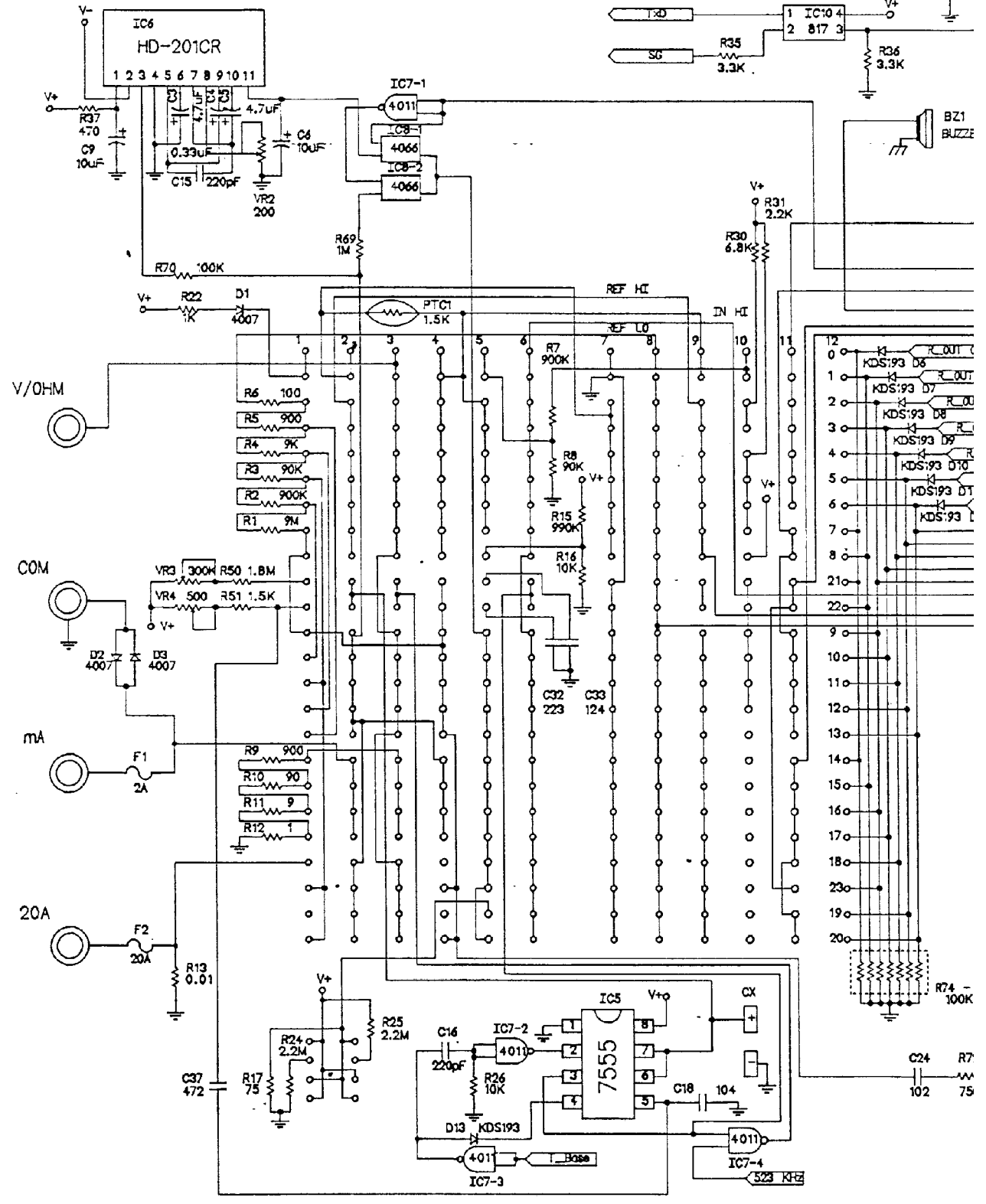
REMARKS: 15 153
 1993. 12. 17
 METEX Instruments

TITLE					
M-36100 SCHEMATIC DIAGRAM					
DRAWN	DESIGNED	CHECKED	APPROVED	DATE	1993.12.14
H.K.K. H.K.K.			DPR. NO		2 md
METEX INSTRUMENTS			MODEL		M-36100

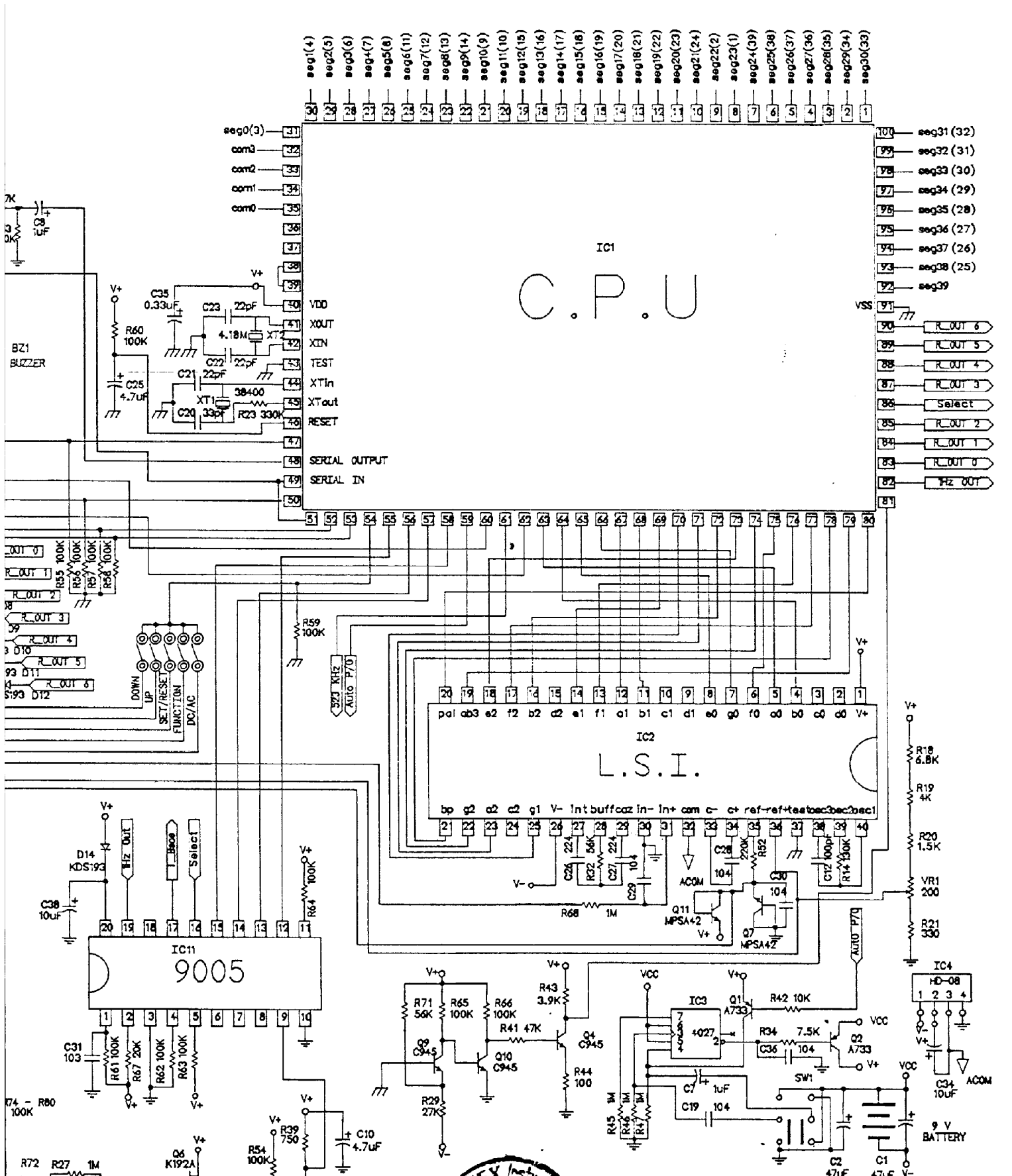
1	2	3	4	5	6	7	8	9	10	11	12	13	14	15	16	17	18	19	20	21	22	23	24	25
LOGIC	A-H	D-H	RC	g1	b1	f7	a7	g2	b2	g3	b3	FREQ	f4	g4	b4	g5	b5	g6	b6	HZ	F	HZ	F	
-	TEMP	MEV	MEV	RH	bc	e1	c1	g7	b7	e2	c2	e3	c3	U2	g4	b4	g5	b5	g6	b6	(k)	(k)	DX	n
+	FREQ	CAP	MAX	DUAL	u1	P1	d1	e7	c7	P2	c2	P3	c3	bc2	e4	c4	e5	c5	e6	c6	(m)	(m)	CB	(u)
HFE	CAP	COIL	REL	COM	f1	a1	d7	f2	a2	f3	a3	(c)	P4	g4	P5	a5	P6	d6	(c)	(c)	(t)	(t)	P	
26	27	28	29	30	31	32	33	34	35	36	37	38	39	40	41	42	43	44	45	46	47	48	49	50
A	H	40	39	32	31	24	23	16	15	8	7	0	COM							COM				
V	(s)	(k)	(n)	(t)	(t)																			
(t)	(m)	(t)	(p)																					
(u)	(p)																							



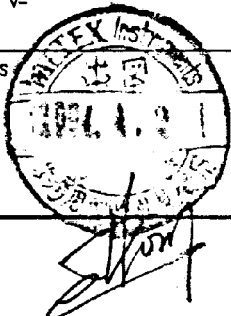
RANGE	
1.	continuity
2.	diode
3.	200 ohm
4.	2 Kohm
5.	20 Kohm
6.	200 Kohm
7.	2 Mohm
8.	20 Mohm
9.	200 Mohm
10.	CAP LO
11.	CAP HI
12.	200 mV
13.	2 V
14.	20 V
15.	200 V
16.	1000 V
17.	200 uA
18.	2 mA
19.	20 mA
20.	200 mA
21.	20 A
22.	FREQ
23.	HFE
24.	LOGIC



R74 - 100K
C24 R7
102 75



REMARKS	TITLE M-3650D SCHEMATIC DIAGRAM (DIP TYPE)					
	DRAWN	DESIGNED	CHECKED	APPROVED	DATE	1994.4.22
	S.R.CHOI	W. K. IGM			DWG_NO	4TH
	METEX INSTRUMENTS			MODEL	M-3650D	



This document was created with Win2PDF available at <http://www.win2pdf.com>.
The unregistered version of Win2PDF is for evaluation or non-commercial use only.
This page will not be added after purchasing Win2PDF.